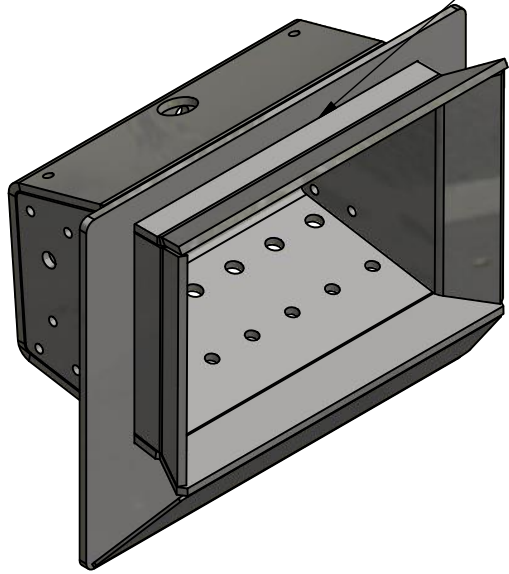


Punktsvejses 6 x5mm

Punktsvejses 10mm

Hjørner fuldsvejses udvendigt

Punktsvejses 3x10mm



| 5 | 1 | PL1,5mm | 5010_5 | | |
|-----|------|-------------|----------|--------|-----------|
| 4 | 1 | PL2,5mm | 5010_4 | | |
| 3 | 1 | PL2,5mm | 5010_3 | | |
| 2 | 1 | PL2,5mm | 5010_2 | | |
| 1 | 1 | PL2,5mm | 5010_1 | | |
| Pos | Pcs. | Description | Part nr. | Vendor | Stock nr. |

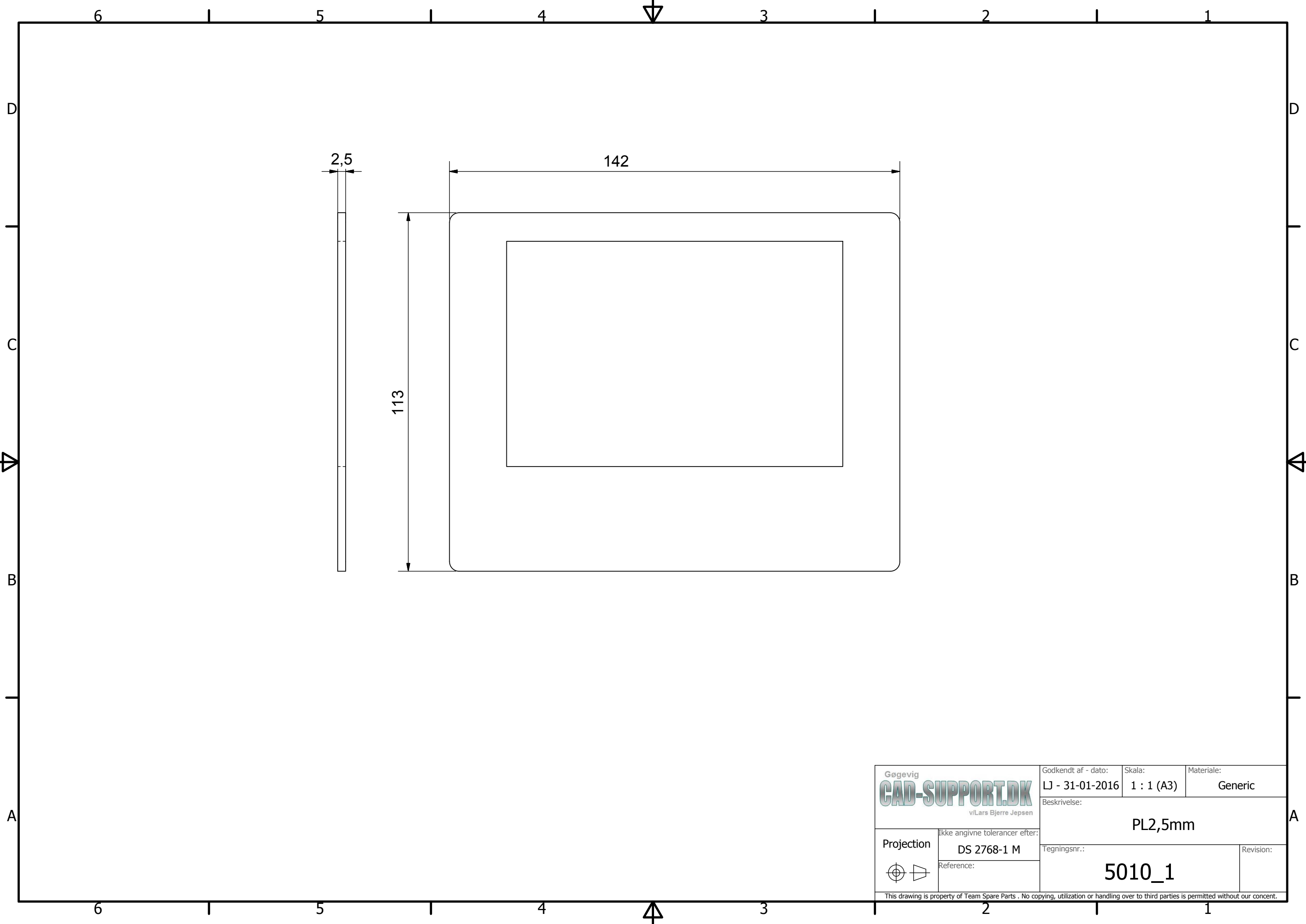
Gøgevig
CAD-SUPPORT.DK
vLars Bjerre Jepsen

Godkendt af - dato: LJ - 31-01-2016
Skala: 1 : 2 (A3)
Materiale:

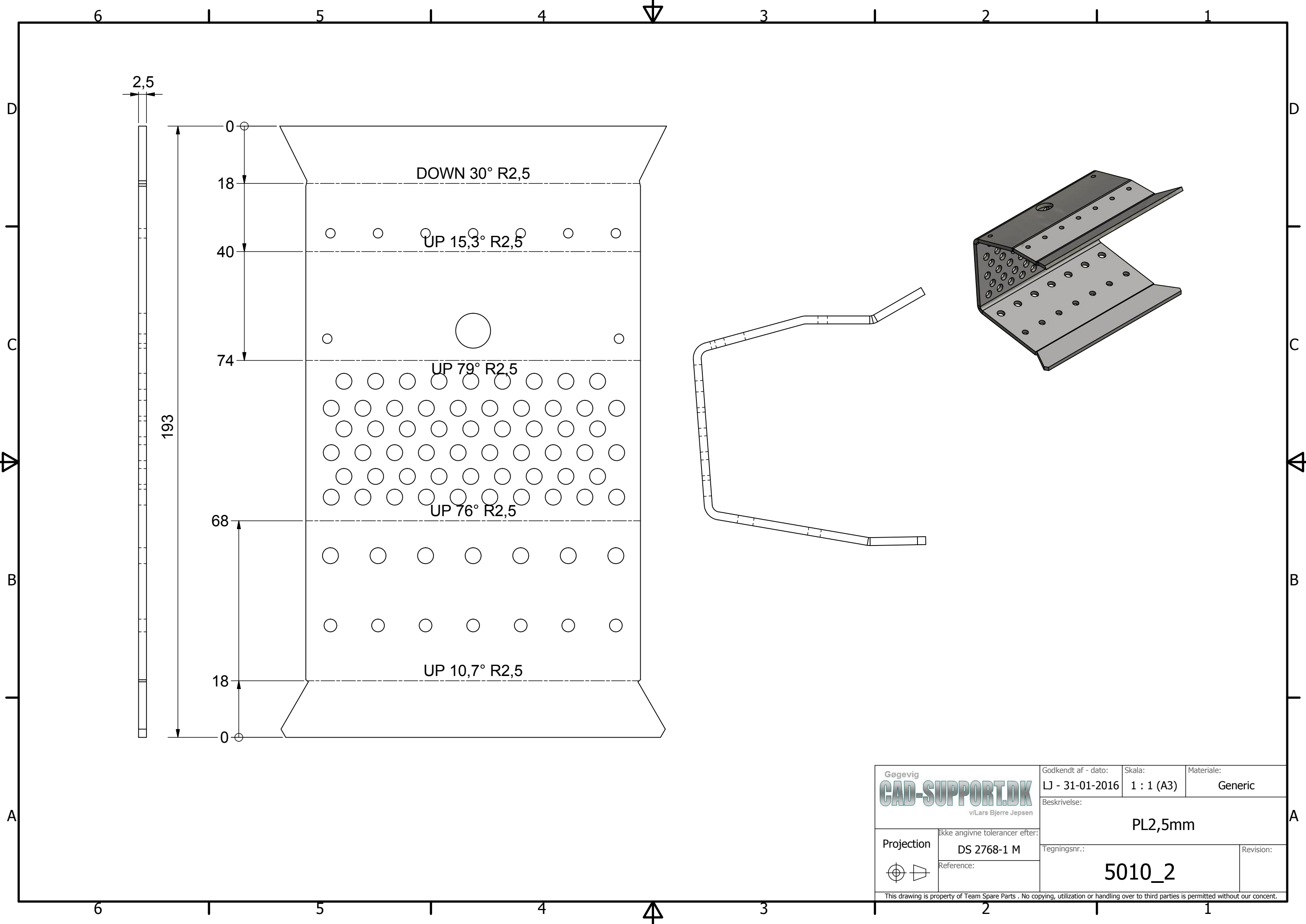
Beskrivelse:

Ikke angivne tolerancer efter: DS 2768-1 M
Tegningsnr.: 5010
Revision:

This drawing is property of Team Spare Parts . No copying, utilization or handling over to third parties is permitted without our consent.

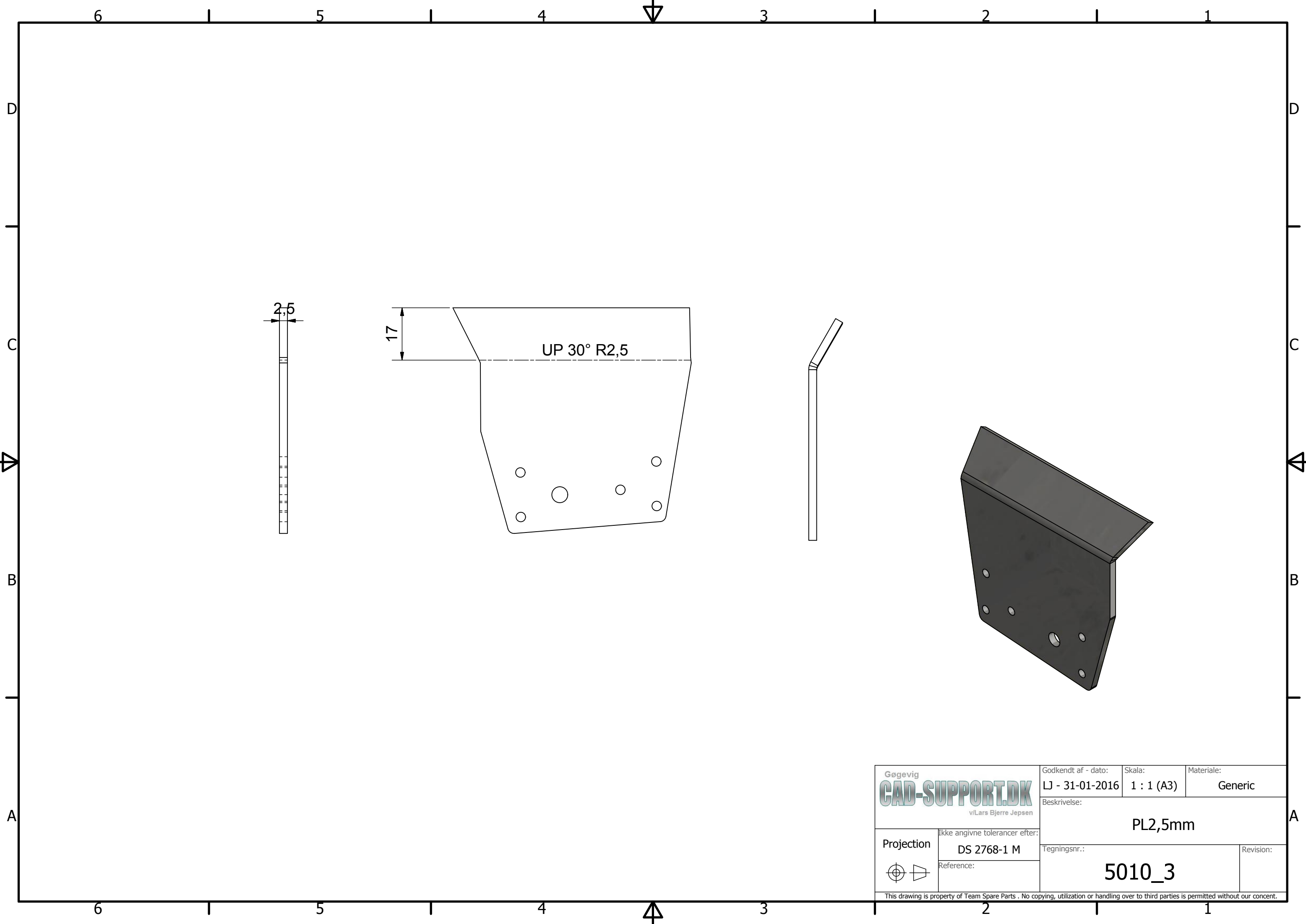


| | | | |
|--|--------------------------------|------------|---------------|
| <p>Gøgevig CAD-SUPPORT.DK vLars Bjerre Jepsen</p> | Godkendt af - dato: | Skala: | Materiale: |
| | LJ - 31-01-2016 | 1 : 1 (A3) | Generic |
| Beskrivelse: | | | |
| PL2,5mm | | | |
| Projection | Ikke angivne tolerancer efter: | | Tegningsnr.: |
| | DS 2768-1 M | | Revision: |
| | Reference: | | 5010_1 |
| This drawing is property of Team Spare Parts . No copying, utilization or handling over to third parties is permitted without our consent. | | | |



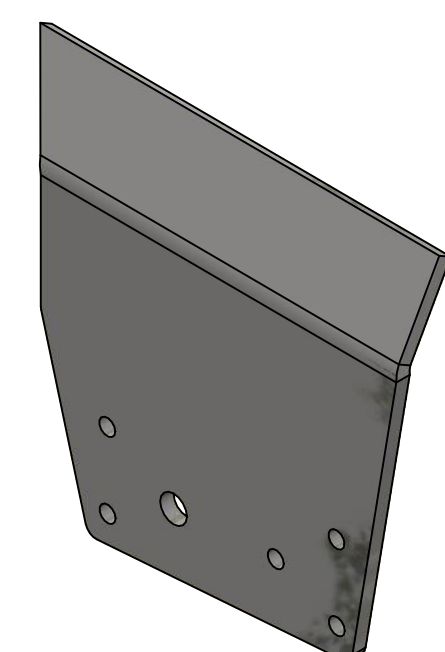
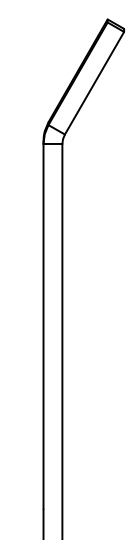
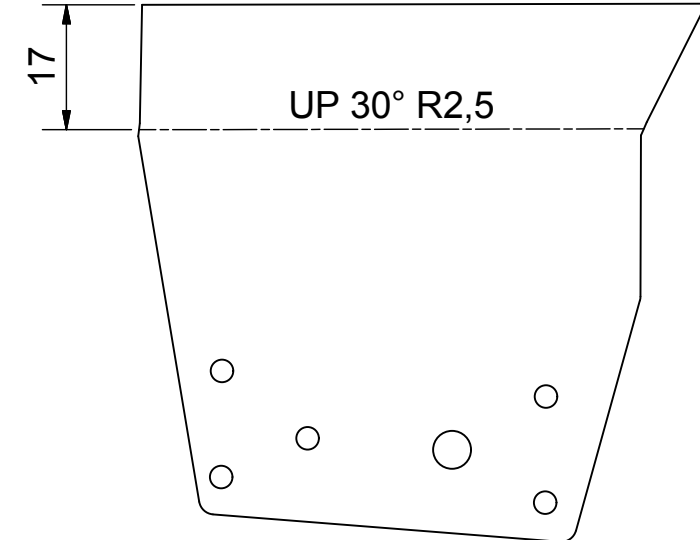
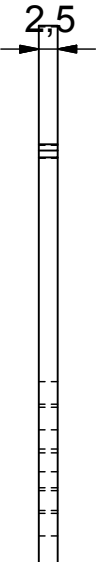
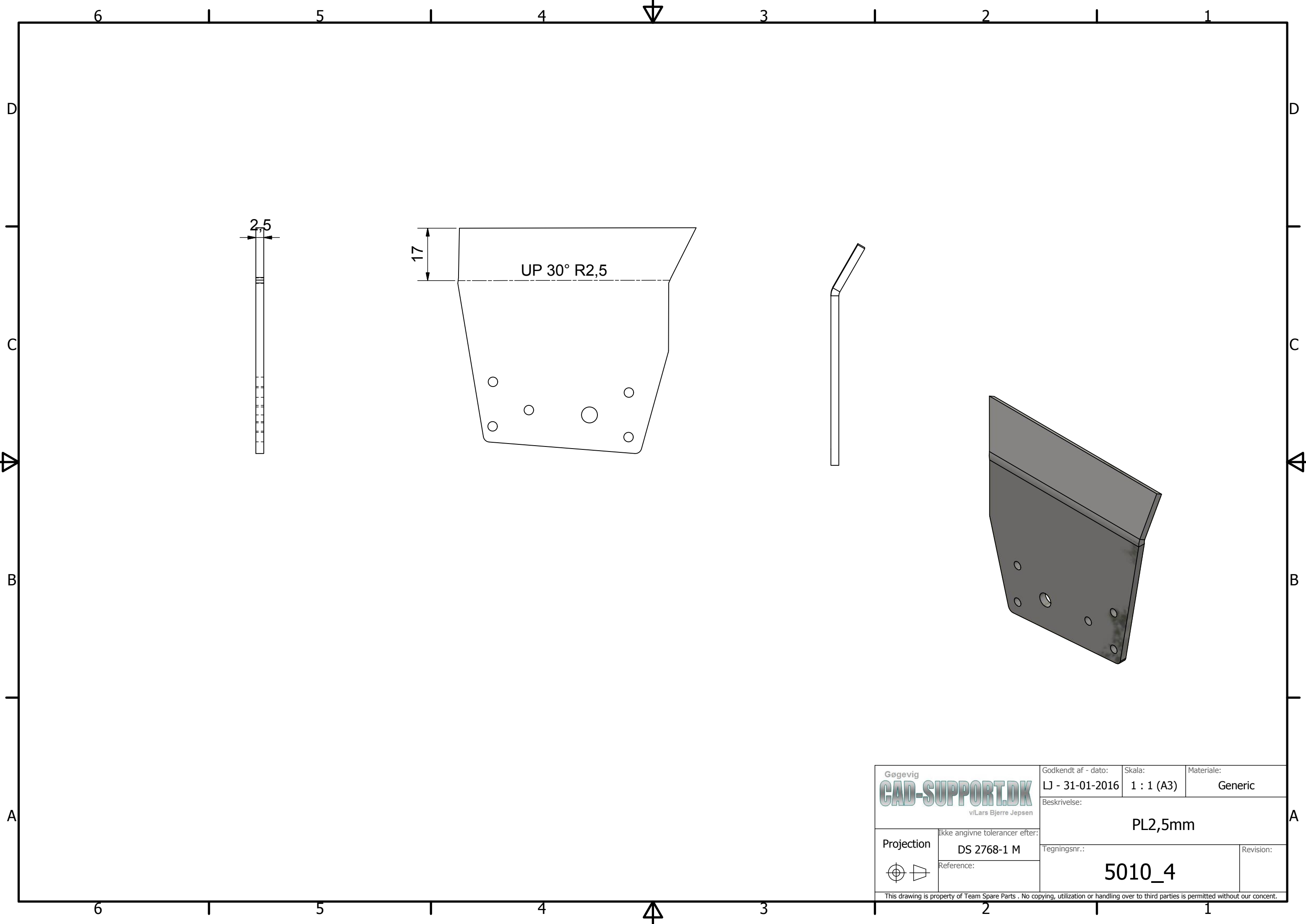
| | | | | | | |
|--|--------------------------------|-----------------|-------------|------------|--------------|---------|
| <p>Gøgevig CAD-SUPPORT.DK vLars Bjerre Jepsen</p> | Godkendt af - dato: | LJ - 31-01-2016 | Skala: | 1 : 1 (A3) | Materiale: | Generic |
| | Beskrivelse: | | | | | |
| Projection | Ikke angivne tolerancer efter: | | DS 2768-1 M | | Tegningsnr.: | 5010_2 |
| Reference: | | | | | Revision: | |

This drawing is property of Team Spare Parts . No copying, utilization or handling over to third parties is permitted without our consent.

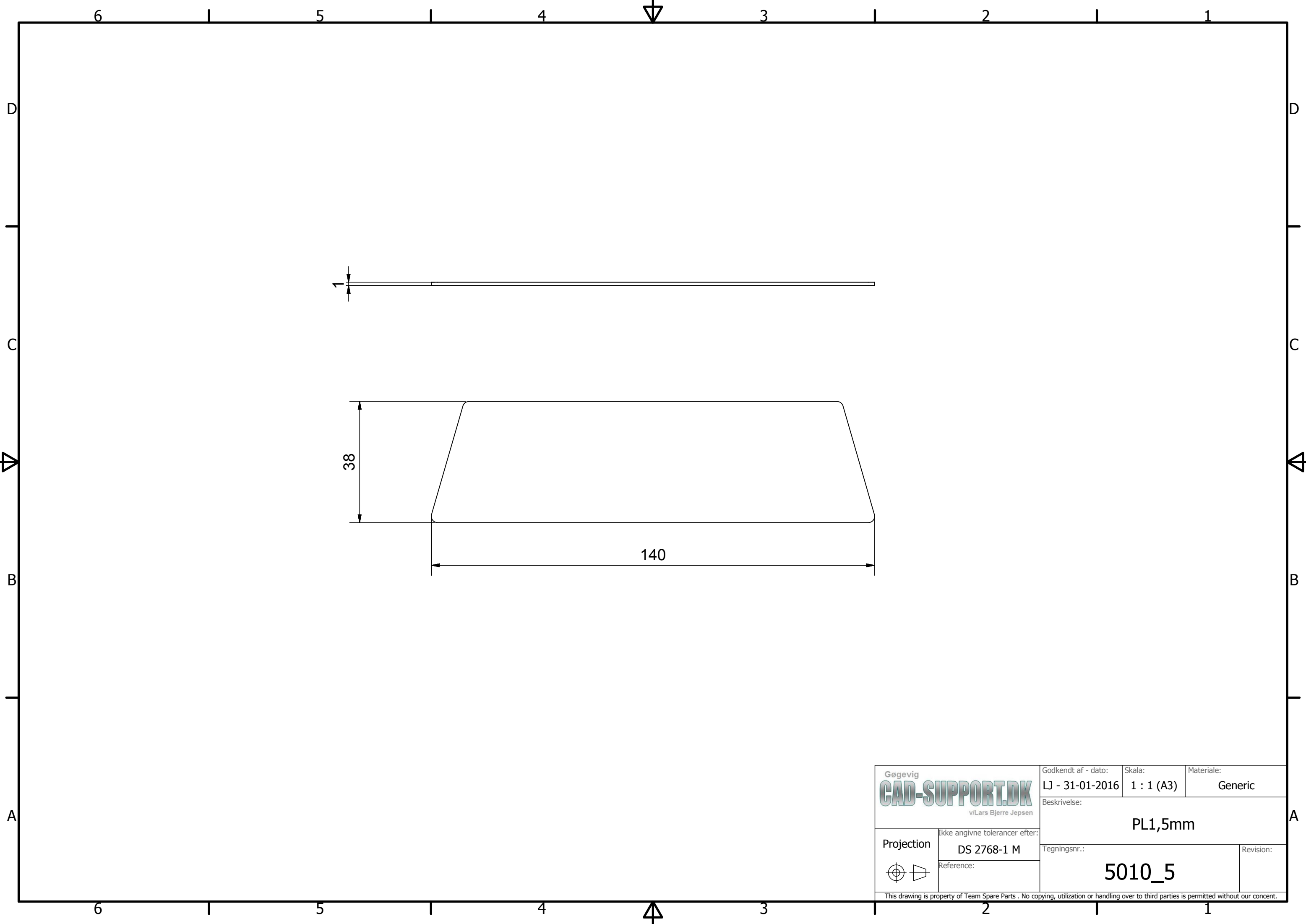


| | | | |
|--|--------------------------------|------------|------------|
| <p>Gøgevig CAD-SUPPORT.DK vLars Bjerre Jepsen</p> | Godkendt af - dato: | Skala: | Materiale: |
| | LJ - 31-01-2016 | 1 : 1 (A3) | Generic |
| Projection | Ikke angivne tolerancer efter: | | Revision: |
| Reference: | DS 2768-1 M | | |
| Tegningsnr.: | | 5010_3 | |

This drawing is property of Team Spare Parts . No copying, utilization or handling over to third parties is permitted without our consent.



| | | | | | | |
|--|--------------------------------|-----------------|-------------|------------|--------------|-----------|
| <p>Gøgevig CAD-SUPPORT.DK vLars Bjerre Jepsen</p> | Godkendt af - dato: | LJ - 31-01-2016 | Skala: | 1 : 1 (A3) | Materiale: | Generic |
| | Beskrivelse: | | | | | |
| Projection | Ikke angivne tolerancer efter: | | DS 2768-1 M | | Tegningsnr.: | Revision: |
| | Reference: | | 5010_4 | | | |
| This drawing is property of Team Spare Parts . No copying, utilization or handling over to third parties is permitted without our consent. | | | | | | |



| | | | | | | |
|--|--------------------------------|-----------------|-------------|------------|--------------|-----------|
| <p>Gøgevig CAD-SUPPORT.DK vLars Bjerre Jepsen</p> | Godkendt af - dato: | LJ - 31-01-2016 | Skala: | 1 : 1 (A3) | Materiale: | Generic |
| | Beskrivelse: | | | | | |
| Projection | Ikke angivne tolerancer efter: | | DS 2768-1 M | | Tegningsnr.: | Revision: |
| | Reference: | | 5010_5 | | | |
| This drawing is property of Team Spare Parts . No copying, utilization or handling over to third parties is permitted without our consent. | | | | | | |